



Yixin Microwave Electronics Co., Ltd

Tel: +86-595-28071010, 28075050 Fax: +86-595-22188000, 22182000

Website: www.yixinec.com & www.yx-rf.com E-mail: sales@yixinec.com

Drop-in Isolator (without 20dB TAB)

Specification (Electrical Characteristics)

:

Item No. : **YG102C-100**

Frequency Range : **850-960MHz**
1800-2000MHz
2100-2200MHz

Insertion Loss: **0.5dB MAX**

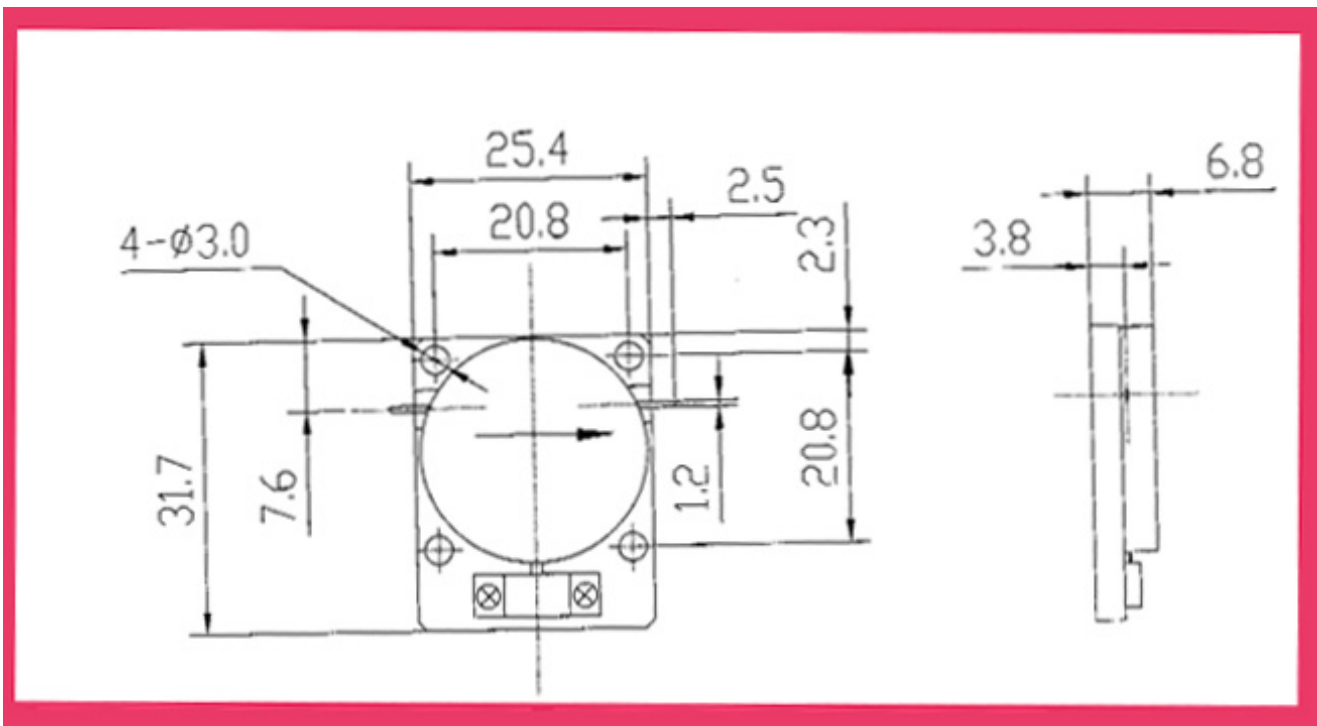
Isolation: **20dB MIN**

VSWR: **1.25 MAX**

Average Power: **100W**

Temperature Range: **-40°C to +80°C**

Drawing(measured by mm)





Yixin Microwave Electronics Co., Ltd

Tel: +86-595-28071010, 28075050 Fax: +86-595-22188000, 22182000

Website: www.yixinec.com & www.yx-rf.com E-mail: sales@yixinec.com

Drop-in Isolator (with 20dB TAB)

Specification (Electrical Characteristics)

:

Item No. : **YG102C-100-20**

Frequency Range : **850-960MHz**
1800-2000MHz
2100-2200MHz

Insertion Loss: **0.5dB MAX**

Isolation: **20dB MIN**

VSWR: **1.25 MAX**

Average Power: **100W**

Temperature Range: **-40°C to +80°C**

Drawing(measured by mm) 通: through

